



The number one intelligent bus based control system for smart houses and buildings

Repeater Module

Extend your capability...

If you intend to install the **Info Control** modules on a large campus, or office block, you may either exceed the distance limitations on a single control bus, or the number of devices that can be connected.

InfoControl provides a solution to this scenario by providing a **repeater** unit.

An installation will require one or more repeaters if connection of modules will exceed the cable connectivity limits.

(A table is shown in the technical specifications section overleaf).

A repeater unit can be used to extend an existing bus segment by providing one or more subsegments.

The repeater also allows you to cascade devices on a segment or subsegment by providing the capability to connect a second string.

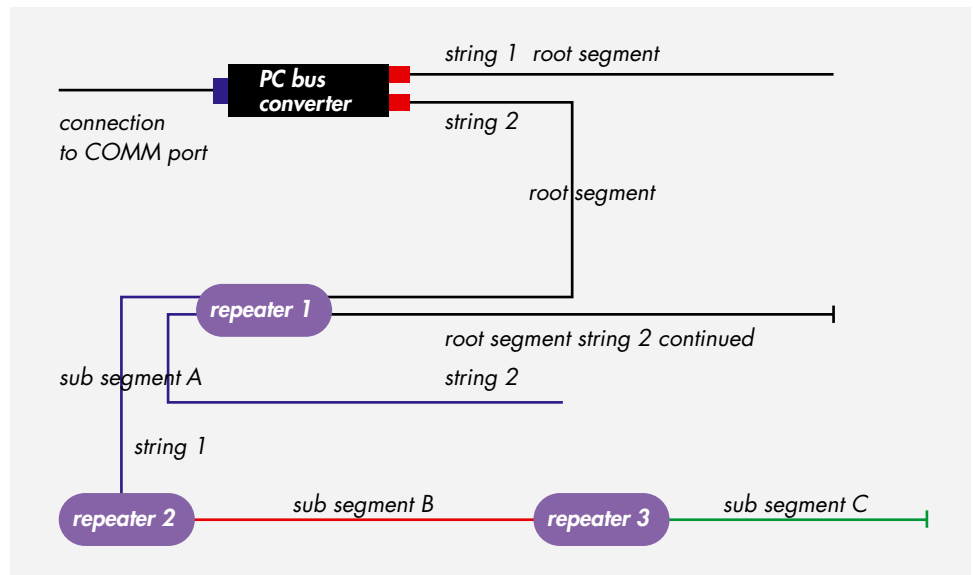
Each repeater segment will extend the managed module capacity by 32 modules per string. Two strings can be connected giving a total of 64 modules that can be connected.

The diagram to the right shows an example topology.



The total length of any segment cannot exceed 1km. This is the sum of all the strings in the sub segment.

*left
repeater module*



Features

- **Increases capacity** Add up to 64 additional InfoControl modules.
- **Increases distance** Overcome any distance constraints.
- **Flexibility** Easily accommodates your building or campus topology. Ensures you can install modules where you wish.



Repeater Module

■ Electrical connections	2,1mm external power source plug
■ Power source	48V Power supply
■ Power consumption	2,4W / 50mA
■ Environmental	Normal operating temperature: -10°C to +40°C. Relative humidity 90%
■ Connectors	Four RJ12 connectors for control bus
■ LEDs	2 x red LED for bus processor function check. 2 x green LED for power supply.
■ Control bus cable limits	The longer the segment is, the less modules can be attached due to electrical constraints. The table below indicates the maximum number of modules that can be attached relative to the length of the string or segment. Distances shown are in meters.

String length (m)	100	200	300	400	500	600	700	800	900	1000
Max. no. modules	32	25	17	12	10	8	7	6	5	5

For further information:

InfoByte AG
Binzenholzstrasse 451
CH-5704 Egliswil

Switzerland

Tel. +41 (0)62 769 87 00
Fax +41 (0)62 769 87 90

info@infocontrol.com

Visit our Website
www.infocontrol.com

Visiting us?



Egliswil is located about 30 minutes from Zürich Airport direction Bern/Basel.

Copyright notice:

Website and content: Copyright 2001, 2002 INFOBYTE AG*Microsoft is a trademark from Microsoft Incorporation *INFOCONTROL is a trademark from Infobyte AG.

Technical specifications are subject to change without prior notice.